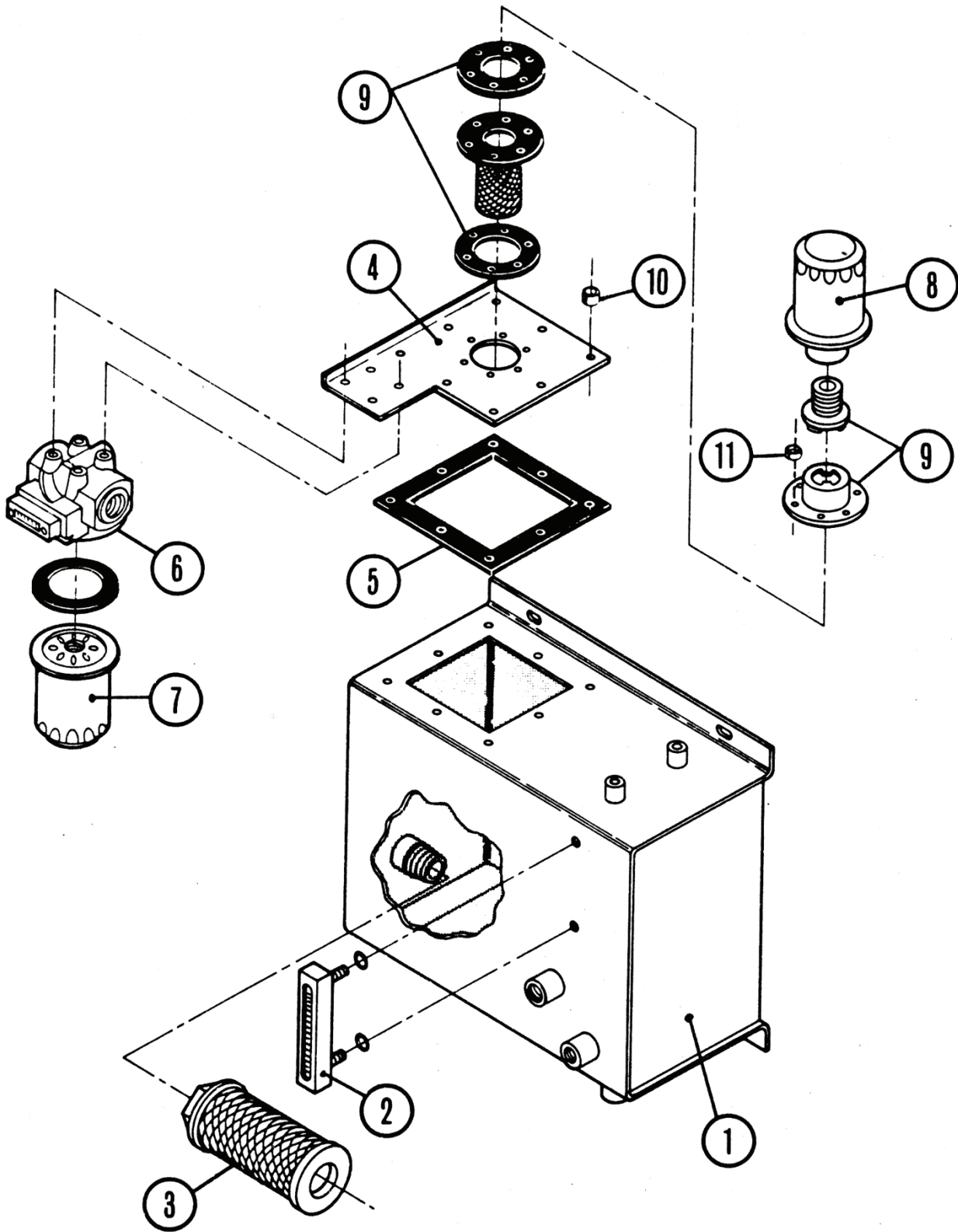


FORD RADIATORS, SHROUDS, AND MOUNTS

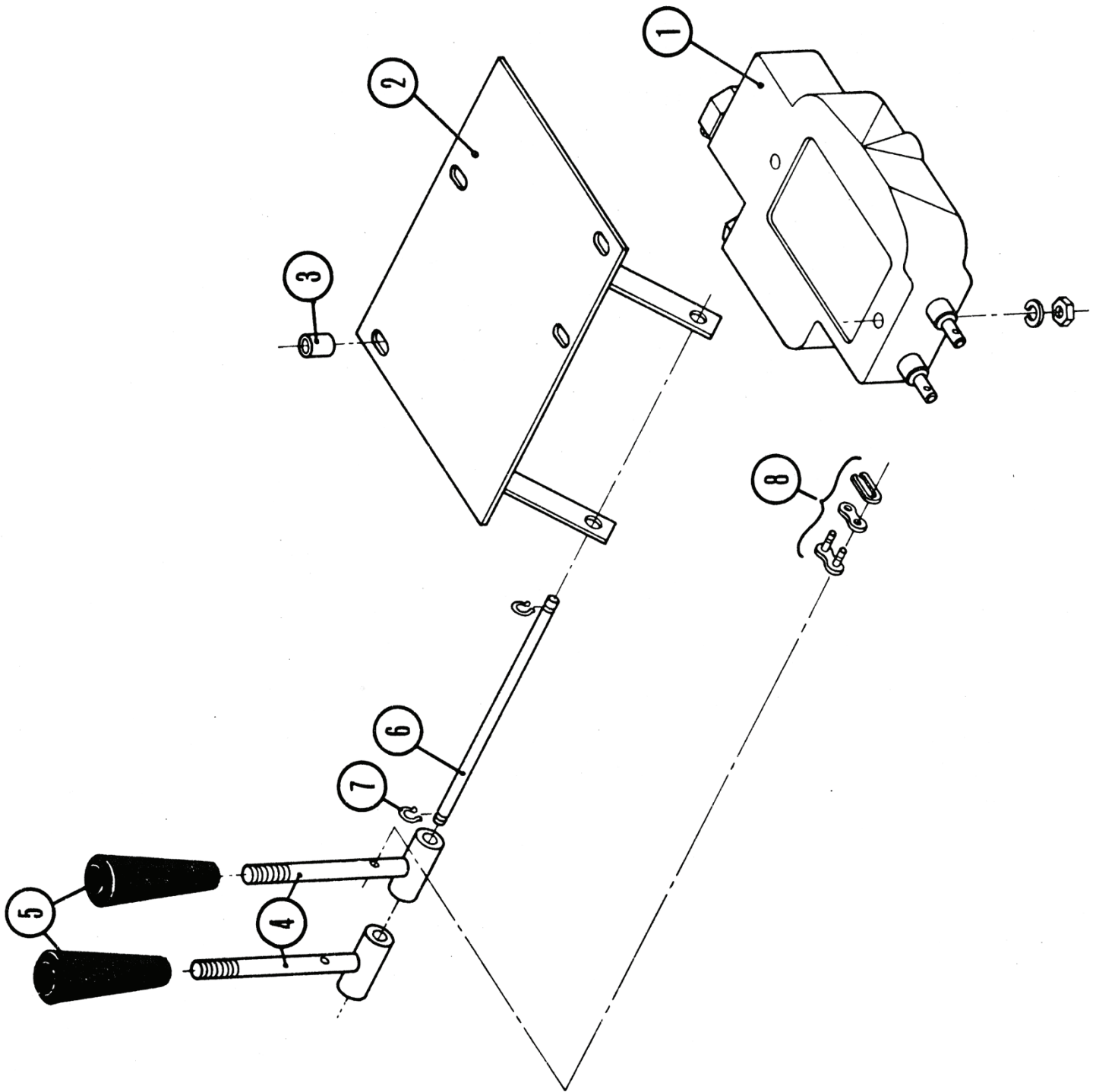
FORD ITEM NUMBER	PART NUMBER	DESCRIPTION	FORD ME (88 MODELS ONLY)	
			PART NUMBER	DESCRIPTION
1	302101	Rad - 3 core	301995	Rad - Heavy Duty
2	300420	Cap	300420	Cap
3	300533	Hose - Rad Upper	300533	Hose - Rad Upper
4	303125	Hose - Rad Lower	303125	Hose - Rad Upper
5	300533	Hose - Rad - Upper	303126	Hose - Rad - Upper
6	302457	Assy - Coolant Tap	302457	Assy - Coolant Tap
7	300465	Mount - Isolation	300465	Mount - Isolation
8	400092	Washer - Fender	400092	Washer - Fender
9	302110	Brckt - Lower Rad Mnt	302173	Assy - Rad Mount
10	302112	Assy - Rad Mnt Front	----	-----
11	302114	Assy - Rad Mnt Rear	-----	-----
12	300893	Mnt - Rad	303039	Bracket - Rad
13	301815	Deflector - Side Rad	302177	Deflector - Side Rad
14	-----	-----	303070	Assy Shrd Rad Top and Bottom
15	-----	-----	303070	Assy Shrd Rad Top and Bottom
16	301813	Deflector - Air Top Rad	303178	Deflector - Air Rad
17	301563	Edging - Dflctr Rad Top	302105	Edging - Deflector Rad
18	301264	Plate Fan Shroud	302946	Plate - Fan Shroud
19	301264	Plate Fan Shroud	-----	-----
20	-----	-----	302953	Spacer - Rad Mnt
21	301959	Strap - Rad Shroud	-----	-----
22	301958	Shroud - Fan Front	-----	-----
23	301960	Shroud - Fan Rear	-----	-----
24	400256	Fitting - Plug 1/4 NPT	400256	Fitting - Plug 1/4 NPT



HYDRAULIC RESERVOIR

ITEM NUMBER	PART NUMBER		DESCRIPTION
	Series 88	Series 78	
1	300001		Assembly - Reservoir Hydraulic
2	300366		Gage - Level Hydraulic Reservoir
3	300360		Strainer - Hydraulic Reservoir
4	300020	302372	Cover - Reservoir
5	300007		Gasket - Hydraulic Reservoir
6	300358		Assembly - Hydraulic Filter
7	300359		Filter Hydraulic
8	302053		Breather - Filter
9	300378		Assembly - Filter/Breather
10	302249		Spacer - Nylon
11	302248		Spacer - Nylon

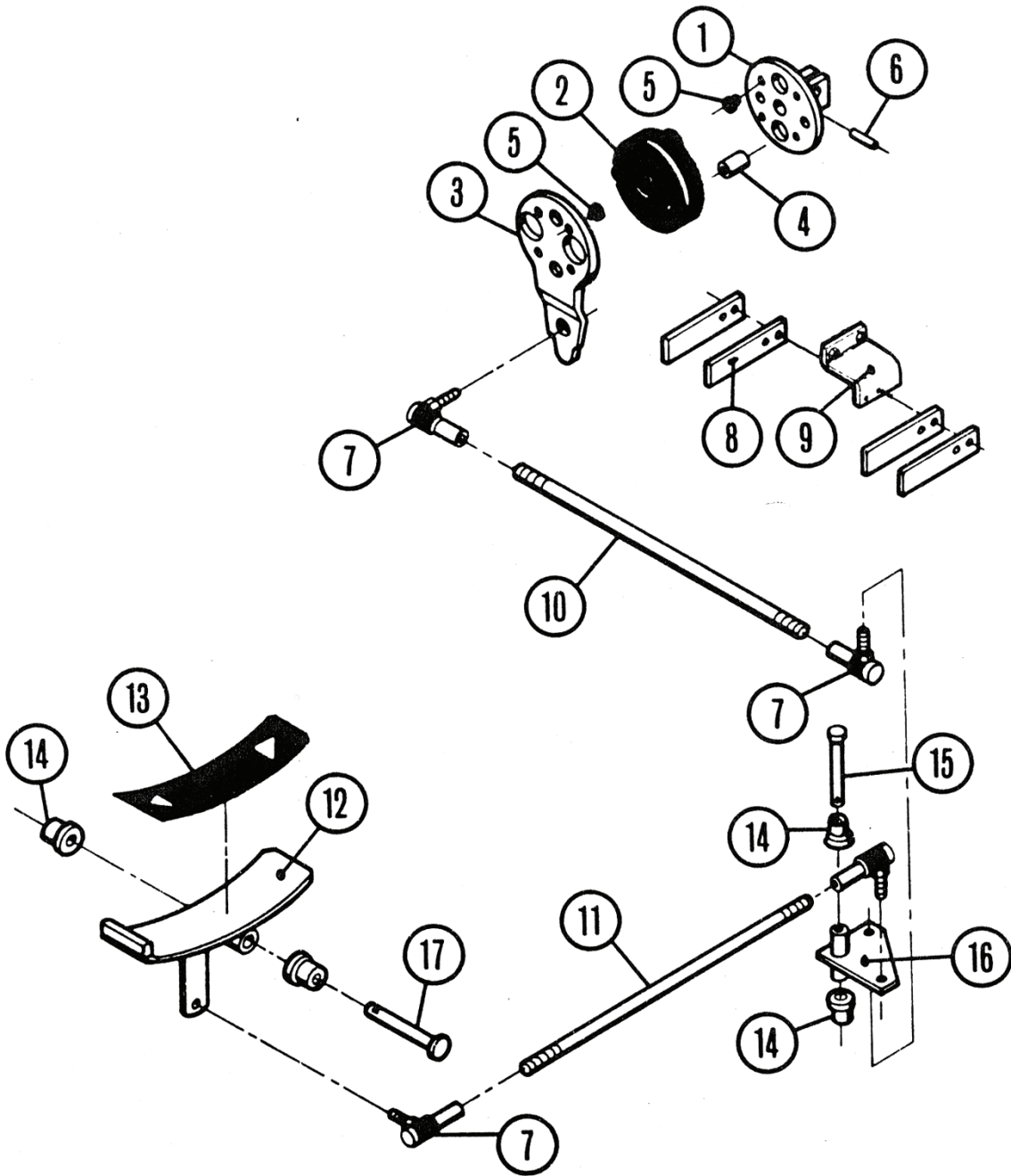
*When no number appears in this column, the parts number for the 78 Series is the same as that for the 88 Series.



HYDRAULIC VALVE

ITEM NUMBER	PART NUMBER	DESCRIPTION
1	300357 300356	Assembly - Hydraulic Valve All SW High Dump Units 3-Spool All SW Low Dump Units 2 -Spool
2	300743	Assembly - Mount Valve
3	300883	Spacer - Control Valve
4	300070	Assembly - Lever
5	300558	Knob - Main Broom, Curb Broom, Squeegee
6	300884	Rod - Pivot Control Valve
7	300547	Assembly - Connecting Link

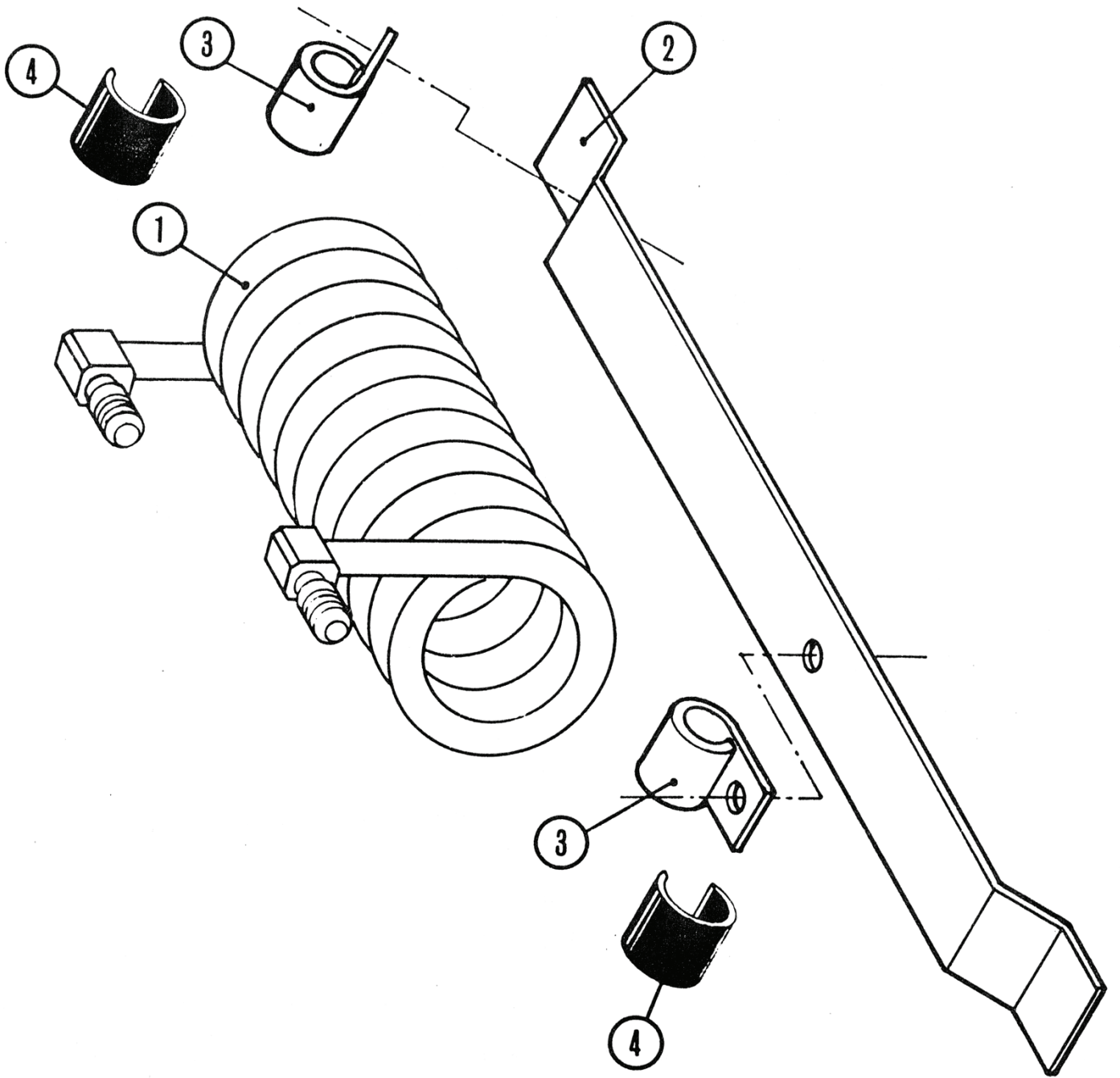
ASSEMBLY



DIRECTIONAL CONTROL

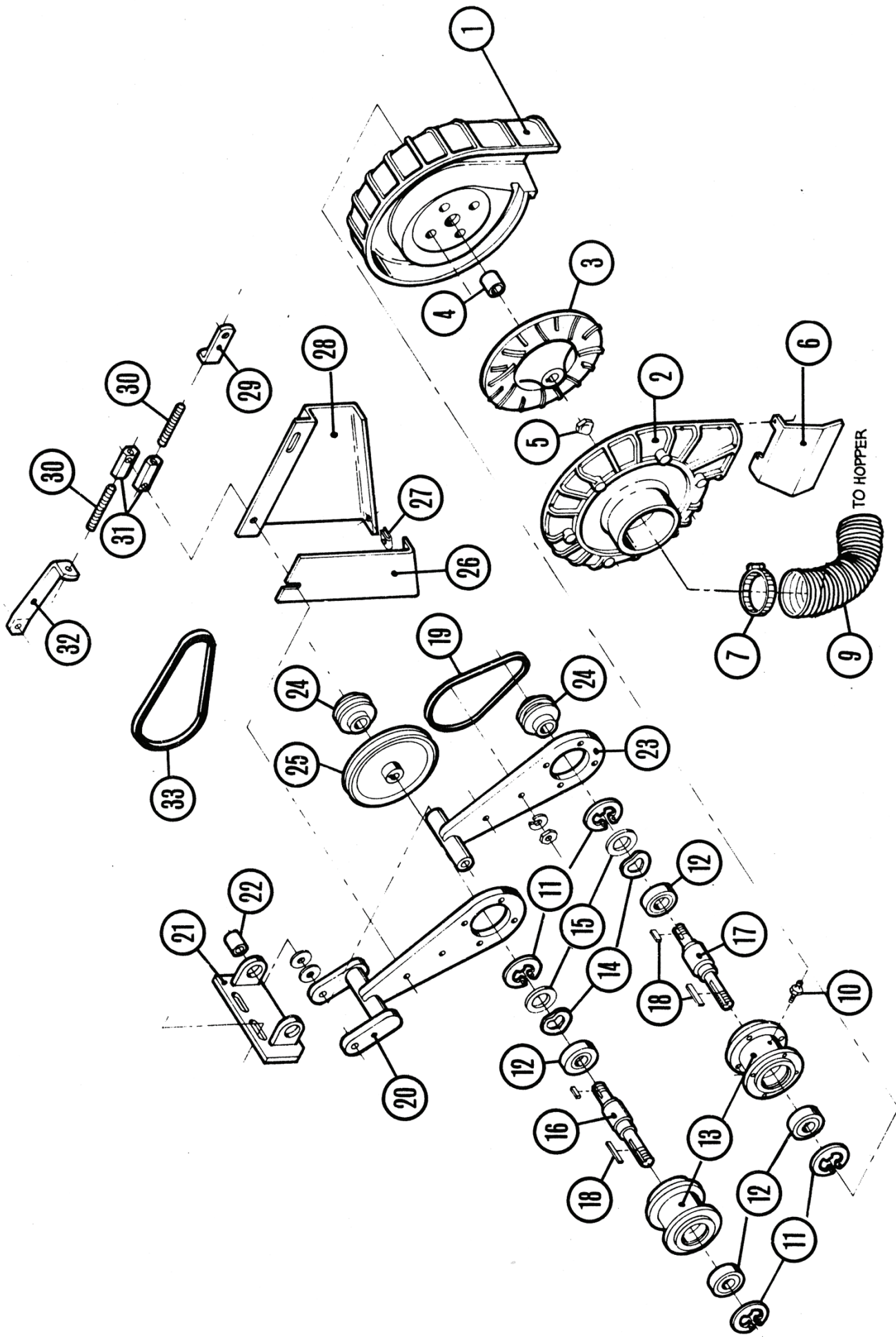
ITEM NUMBER	PART NUMBER		DESCRIPTION
	Series 88	Series 78*	
1	301544		Assembly - Disc Fwd/Rev
2	301507		Coupling Ring
3	301542		Arm - Fwd/Rev
4	300339		Sleeve, Squeegee Fwd/Rev
5	300526		Bumper - Rubber Engine Cover
6	400127		Pin - Roll 1/4 x 1.50
7	300461		Assembly - Ball Joint 3/8
8	300543		Spring - Return Directional Control
9	300872		Bracket - Adjustment Fwd/Rev
10	300030	302357	Rod - Fwd/Rev
11	300029		Rod - Fwd/Rev
12	300737		Assembly - Pedal Fwd/Rev
13	300544		Pad - Foot Pedal
14	300414		Bushing Plastic Main Broom
15	400115		Pin- Clevis 3/8 x 3.00
16	300053		Assembly - Arm Intermediate
17	400114		Pin - Clevis 3/8 x 4.00

*When no number appears in this column, the parts number for the 78 Series is the same as that for the 88 Series.



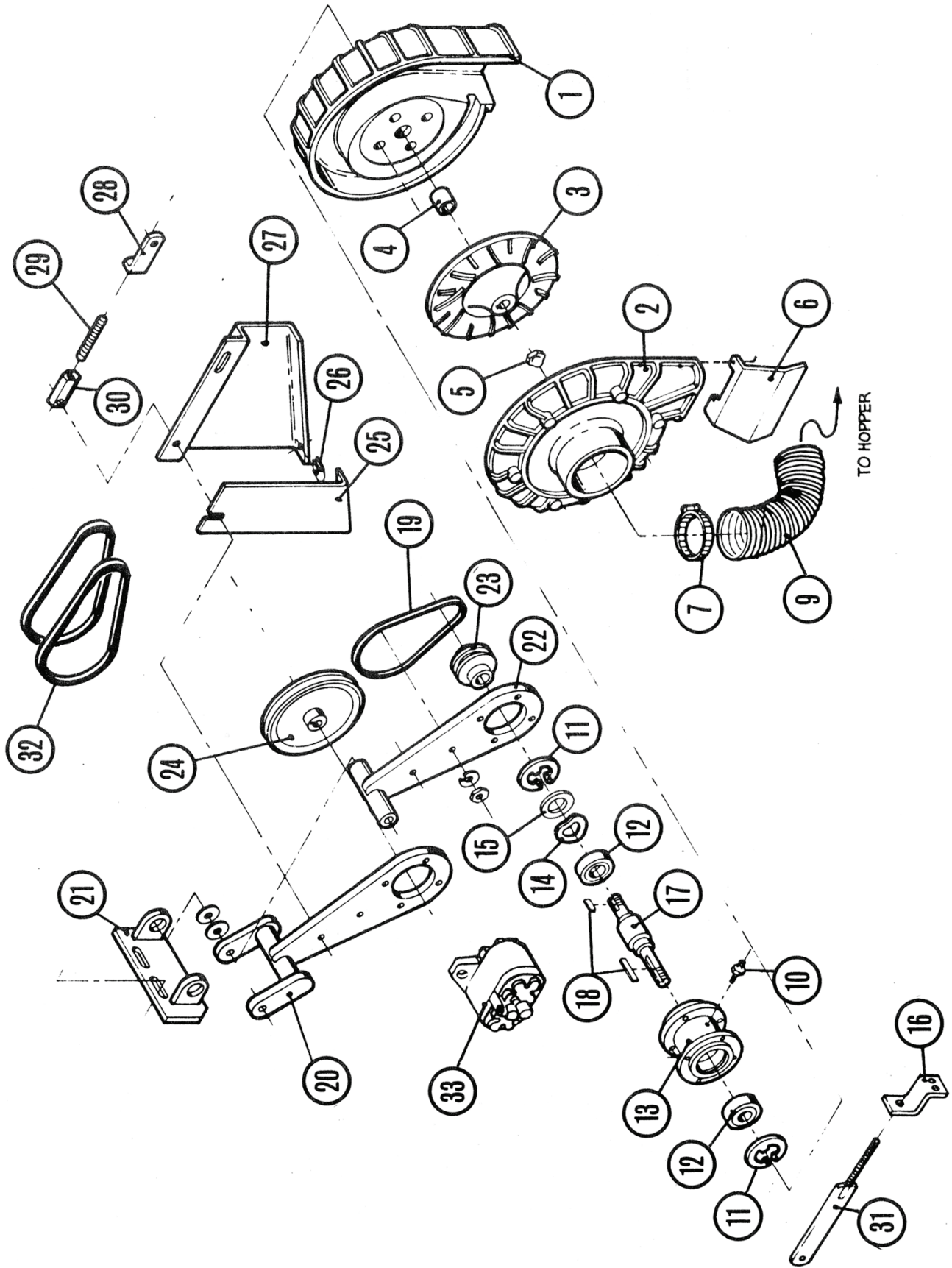
COOLING COIL

ITEM NUMBER	PART NUMBER	DESCRIPTION
1	300541	Coil Cooling
2	300906	Mount Cooling Coil
3	301158	Clamp - Cable 3/4
4	301597	Retainer - Rubber



88 SERIES IMPELLER

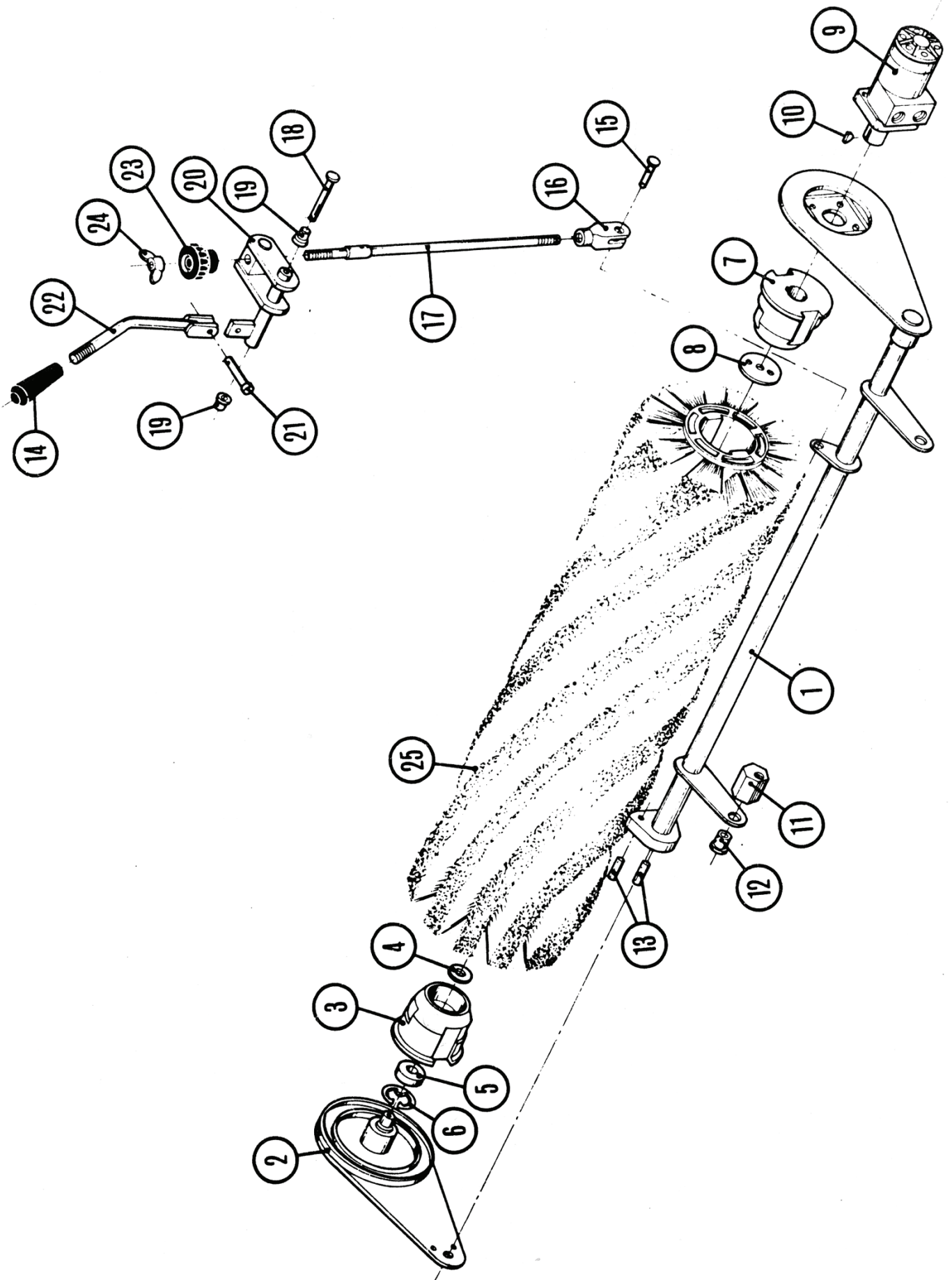
ITEM NUMBER	PART NUMBER	DESCRIPTION
1	301027	Assembly - Shroud Inner
2	300139	Shroud Outer
3	300133	Impeller
4	300902	Spacer - Impeller
5	400062	Nut - Acorn 1/2 - 20
6	300908	Deflector - Impeller
7	300351	Clamp - Hose 4" Diameter
8	301388	Cover - Impeller Bearing (Not Shown)
9	300350	Hose - Impeller to Hopper
10	400012	Fitting - Grease 3/16
11	300474	Ring - Retainer Interior
12	300468	Bearing - Ball
13	300186	Housing - Bearing Impeller
14	300476	Washer - Wave
15	301330	Spacer - Flat Impeller
16	301354	Shaft - Impeller
17	300185	Shaft - Impeller
18	300344	Key 1/8 Square x .75
19	300348	Belt - V
20	301349	Assembly - Impeller Pulley Mount
21	300692	Assembly - Pivot Mount Impeller
22	301331	Spacer - Impeller Mount
23	301229	Assembly - Impeller Arm
24	300346	Pulley - Impeller
25	301313	Pulley - Impeller
26	301344	Cover - Impeller
27	301146	Clipnut
28	301341	Guard - Impeller Belt
29	301439	Bracket - Impeller Adjustment
30	301393	Rod - Impeller Adjustment
31	300202	Bar - Cable Adjustment
32	301438 303035 302907 302992	Bar - Impeller Adjustment Nissan Bar - Impeller Adjustment Ford Bar - Impeller Adjustment Kubota Bar - Impeller Adjustment Perkins
33	300347	Belt - V



TO HOPPER

78 SERIES IMPELLER

ITEM NUMBER	PART NUMBER	DESCRIPTION
1	301027	Assembly - Shroud Inner
2	300139	Shroud Outer
3	300133	Impeller
4	300902	Spacer - Impeller
5	400062	Nut - Acorn 1/2 - 20
6	300908	Deflector - Impeller
7	300351	Clamp - Hose 4-inch Diameter
8	301388	Cover - Impeller Bearing (Not Shown)
9	300350	Hose - Impeller to Hopper
10	400012	Fitting - Grease 3/16
11	300474	Ring - Retainer Interior
12	300468	Bearing - Ball
13	300186	Housing - Bearing Impeller
14	300476	Washer - Wave
15	301330	Spacer - Flat Impeller
16	302459	Bracket - Belt Tension
17	300185	Shaft - Impeller
18	300344	Key 1/8 Square x .75
19	300348	Belt - V
20	301349	Assembly - Impeller Pulley Mount
21	300692	Assembly - Pivot Mount Impeller
22	302327	Assembly - Impeller Arm
23	300346	Pulley - Impeller
24	302209	Pulley - Impeller
25	301344	Cover - Impeller
26	301146	Clipnut
27	301341	Guard - Impeller Belt
28	301439	Bracket - Impeller Adjustment
29	301393	Rod - Impeller Adjustment
30	300202	Cable Adjustment
31	302458	Assembly Belt Tension Bar
32	302347	Belt - V
33	302047	Pump - Auxillary



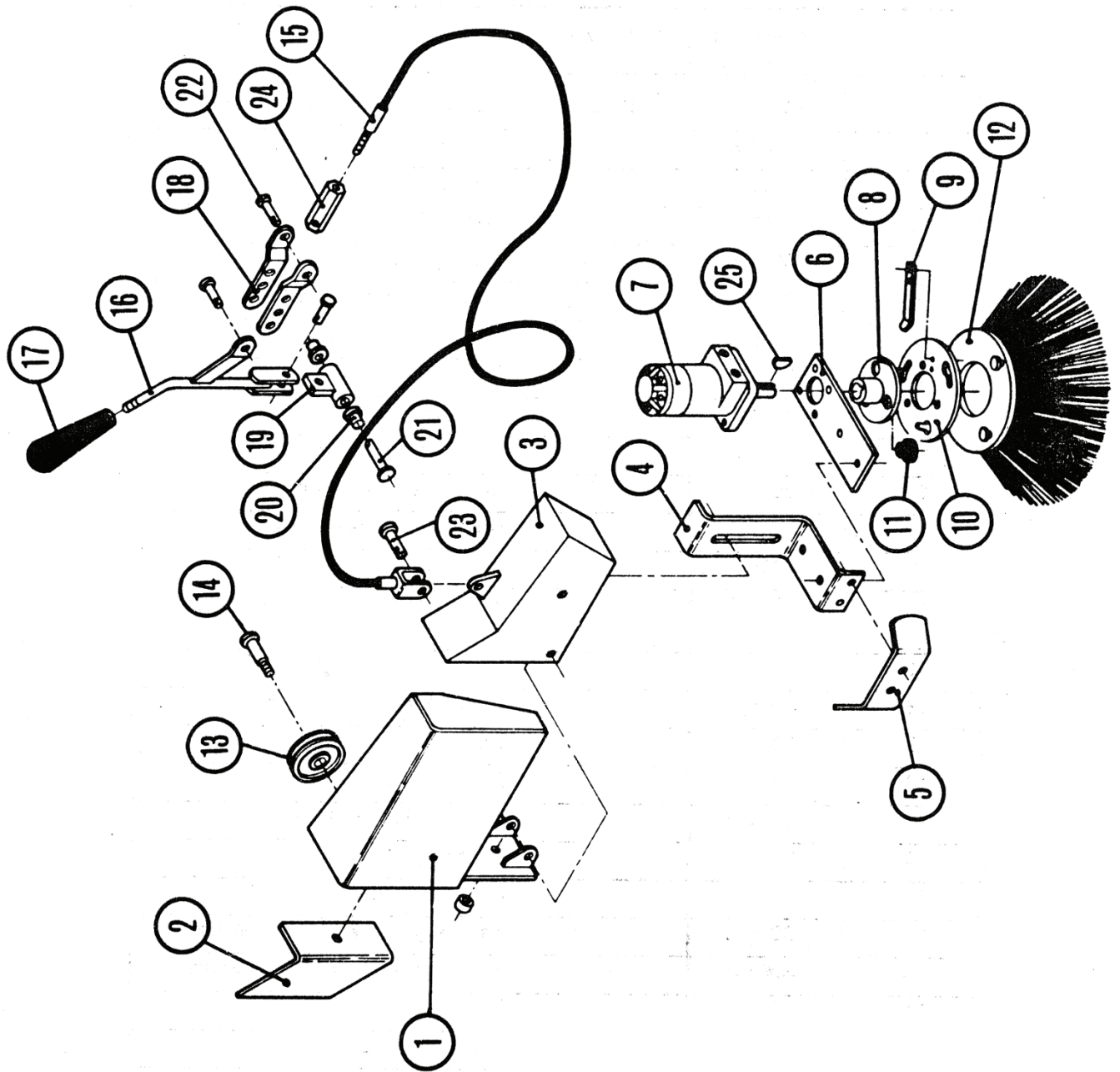
MAIN BROOM

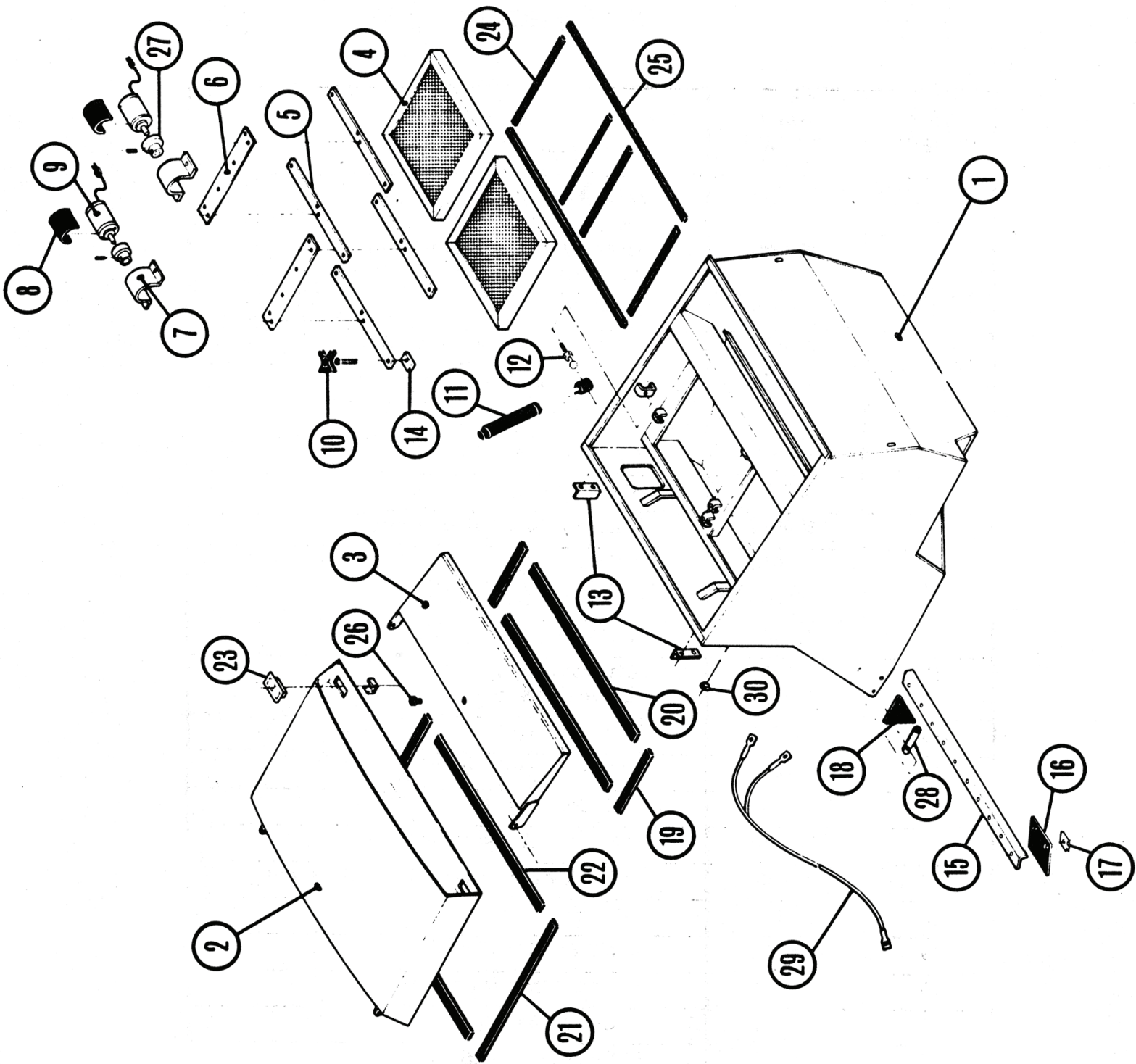
ITEM NUMBER	PART NUMBER		DESCRIPTION
	Series 88	Series 78*	
1	300018	300006	Assembly - Mount Main Broom
2	300005		Assembly - Arm Broom Idler ✓
3	301051		Hub - Broom Idler ✓
4	400091		Washer Fender 1/2
5	300469		Bearing Ball #205 PP
6	300475		Ring - Retainer Internal 2.06
7	301050		Hub - Main Broom Drive
8	301285		Retainer - Drive Hub
9	301442		Motor - Hydraulic
10	302082		Key - Hydraulic Motor
11	300064		Block Adjustment Main Broom
12	300432		Bushing - Bronze Flanged
13	300021		Pin - Dowel .38 Dia x 1.25
14	300558		Knob - Main Broom, Curb Broom, Squeegee
15	400117		Pin - Clevis 3/8 x 1.12
16	301447		Clevis - Main Broom & Brake
17	300858		Rod - Main Broom Lift
18	400113		Pin - Clevis 3/8 x 6.12
19	300414		Bushing - Plastic Main Broom
20	300088		Assembly - Arm Broom Lift
21	400117		Pin - Clevis 3/8 x 1.12
22	300675		Assembly - Lever Main Broom Lift
23	300352		Knob - Main Broom Lift Adjustment
24	400084		Wing Nut
25			Main Broom Options
	300315	300314	Nylon
	300313	300312	Proex
	300303	300302	Proex & Wire
	300325	300324	Union Fiber & Wire
	300301	300326	Wire
	300317	300316	Patrol Brush
	300321	300320	Hi-Density Union Fiber & Wire
	300305	300304	Hi-Density Nylon

*When no number appears in this column, the parts number for the 78 Series is the same as that for the 88 Series.

SIDE BROOM

ITEM NUMBER	PART NUMBER	DESCRIPTION
1	301676 300985	Assembly - Bracket Curb Broom Mounting (High Dump) Assembly - Bracket Curb Broom Mounting (Low Dump)
2	300959	Guard - Frame
3	300929	Assembly - Arm Curb Broom
4	300054	Bracket - Curb Broom
5	300055	Guard Curb Broom
6	300956	Plate Mounting Curb Broom
7	301560	Motor - Hydraulic Curb Broom
8	300875	Assembly - Dr Hub Sc Brsh Pntd
9	302058	Bar Brush Retainer
10	301262	Plate Gimbal Scrub Brush
11	300465	Rubber Isolator
12	300307 300309	Side Broom (Poly) Side Broom (Nylon)
13	300368	Pulley Plastic
14	400051	Screw - Hex Head Screw 5/16 x .50
15	300342	Cable Curb Broom
16	300682	Assembly - Lift Lever Curb Broom
17	300558	Knob - Main Broom, Curb Broom, Squeegee
18	300203	Bar Cable
19	300036	Assembly - Pivot Lift Lever
20	300414	Bushing - Plastic Main Broom
21	400115	Pin Clevis 3/8 x 3.00
22	400135	Pin Clevis 5/16 x 1.25
23	400118	Pin Clevis 5/16 x .88
24	300202	Bar Cable Adjustment
25	302082	Key - Hydraulic Motor (Curb Broom)

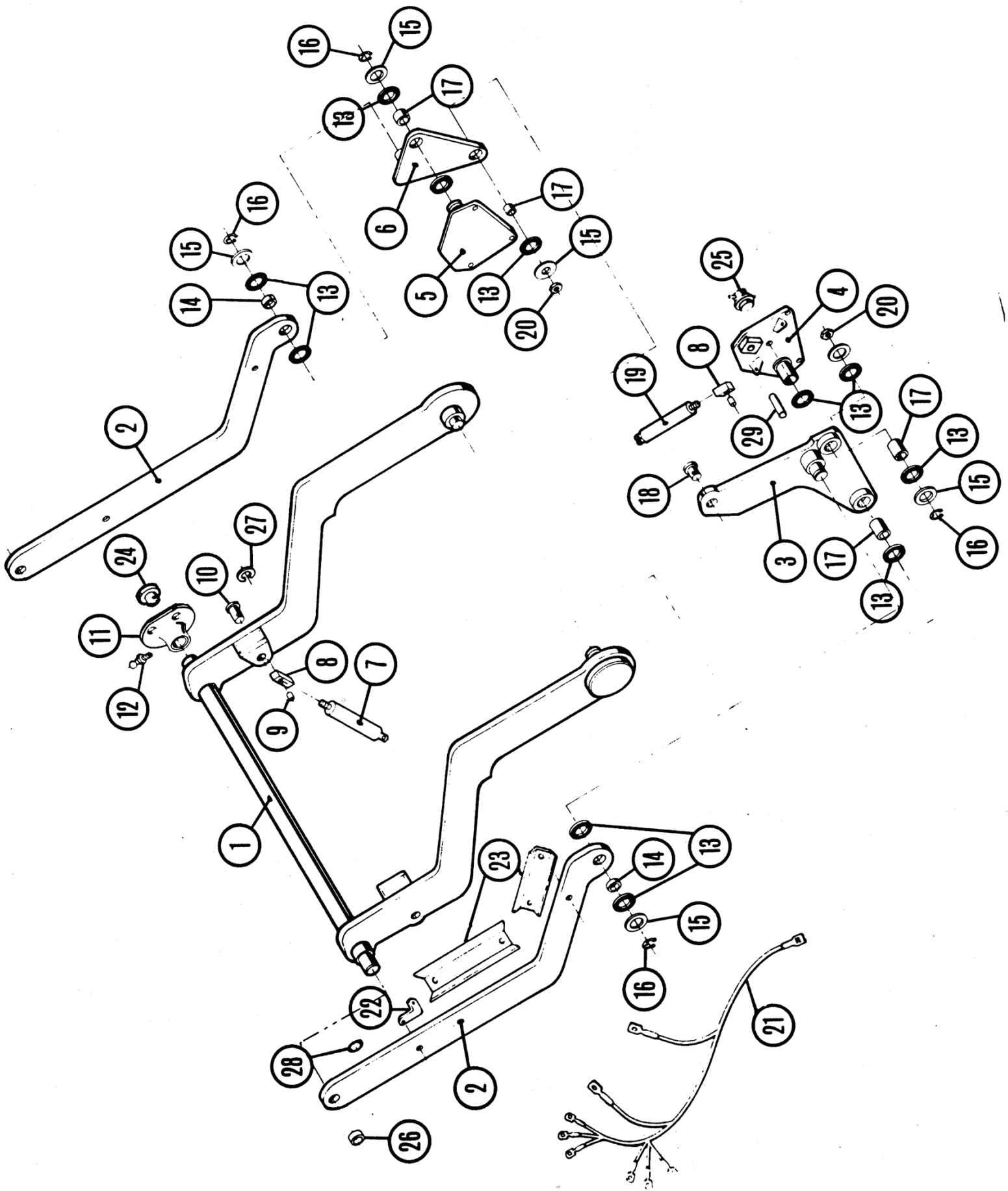




HOPPER

ITEM NUMBER	PART NUMBER		DESCRIPTION
	Series 88	Series 78*	
1	300125	300099	Assembly - Hopper
2	300769	300767	Assembly - Hood Hopper
3	300121	300114	Assembly - Lid Hopper
4	300391	300390	Filter - Dust Control
5	300919	300921	Bar - Filter Retainer
6	300917		Mount - Filter Shaker
7	300915		Retainer Shaker
8	300904		Mount Neoprene Shaker (Motor)
9	300424		Motor - Shaker Filter
10	300353		Knob - Clamping Filter Retainer
11	300375		Gas - Spring Cover
12	300376		Stud - Ball Gas Spring
13	300946		Hinge - Hopper Cover
14	301155		Clipnut - 5/16 - 18
15	300188	300205	Angle - Flap Hopper
16	300195	300194	Flap Hopper Front
17	301146		Clipnut - 1/4 - 20
18	300151		Flap Hopper Side
19	300662		Gasket - Lid Short
20	300555		Gasket - Lid Long
21	300429		Gasket - Hood Short
22	300428		Gasket - Hood Long
23	300380		Assembly Latch #HTL81
24	300449		Gasket - Filter Dust Short
25	300418	300419	Gasket - Filter Dust Long
26	300526		Bumper Rubber Engine Cover
27	301053		Weight - Eccentric
28	302146		Backing - Hopper Side Corner
29	302033 301368		Wiring Harness - High Dump Wiring Harness - Low Dump
30	301668		Strain Relief

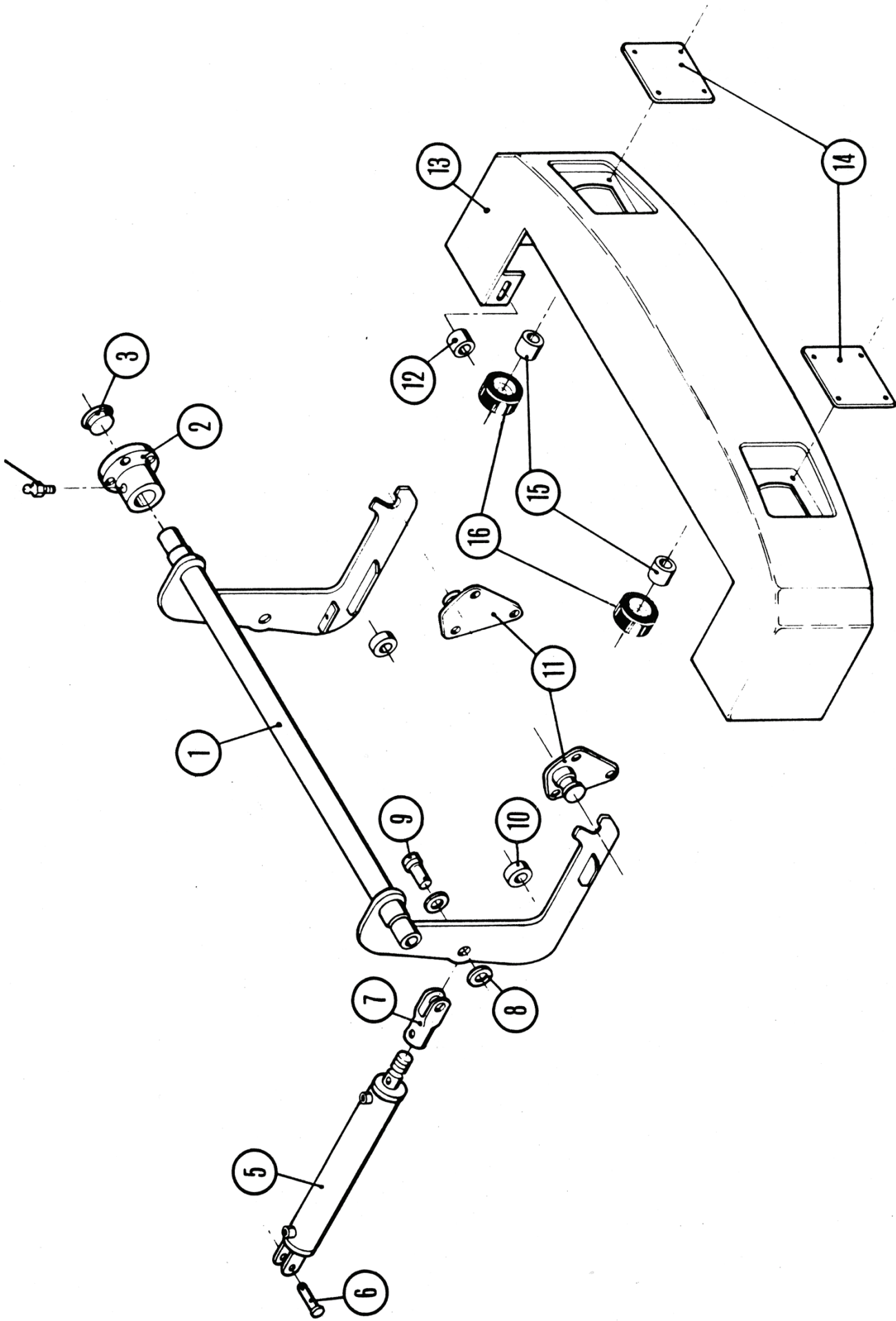
*When no number appears in this column, the part number for the 78 Series is the same as that for the 88 Series.



HIGH DUMP ARM ASSEMBLY

ITEM NUMBER	PART NUMBER		DESCRIPTION
	Series 88	Series 78*	
1	300824	300822	Assembly - Arm
2	300829		Lift Arm - Secondary
3	300809		Assembly - Arm Rotating Cylinder Mount
4	300697		Assembly - Rotation Mount - RH
5	300711		Assembly - Rotation Mount - LH
6	300713		Assembly - Arm Rotation Plate
7	300426		Cylinder - Hydraulic Lift
8	300229		Rod End - Scrub Cylinder
9	300552		Bushing - 1 ID x 1.24 OD x 1.50
10	302013		Pin Upper Cylinder Mount
11	301075		Assembly - Dump Arm Mount
12	400012		Fitting - Grease 3/16
13	400177		Thrust Bearing
14	300836		Bearing - 2.8 OD x 2.00 ID x .75
15	300879		Washer - HD 3.25 OD x 1.00 ID
16	301709		Ring - Retainer Exterior Extension
17	300840		Bearing - 2.18 OD x 2.00 ID x 1.50
18	301996		Pin - Rotating Cylinder Outer
19	300407		Cylinder - Hydraulic Rotation
20	400076		Nut Hex Jam Slotted
21	302030		Wiring Harness HD
22	302037		Bracket - Upper Switch
23	301711		Clip - Hydraulic Hose HD
24	301420		Spacer Dump Arm
25	301712		Assembly - Retainer HD
26	300837		Bearing
27	301998		Ring Retaining
28	301665		Grommet
29	301997		Pin - Rotation Cylinder

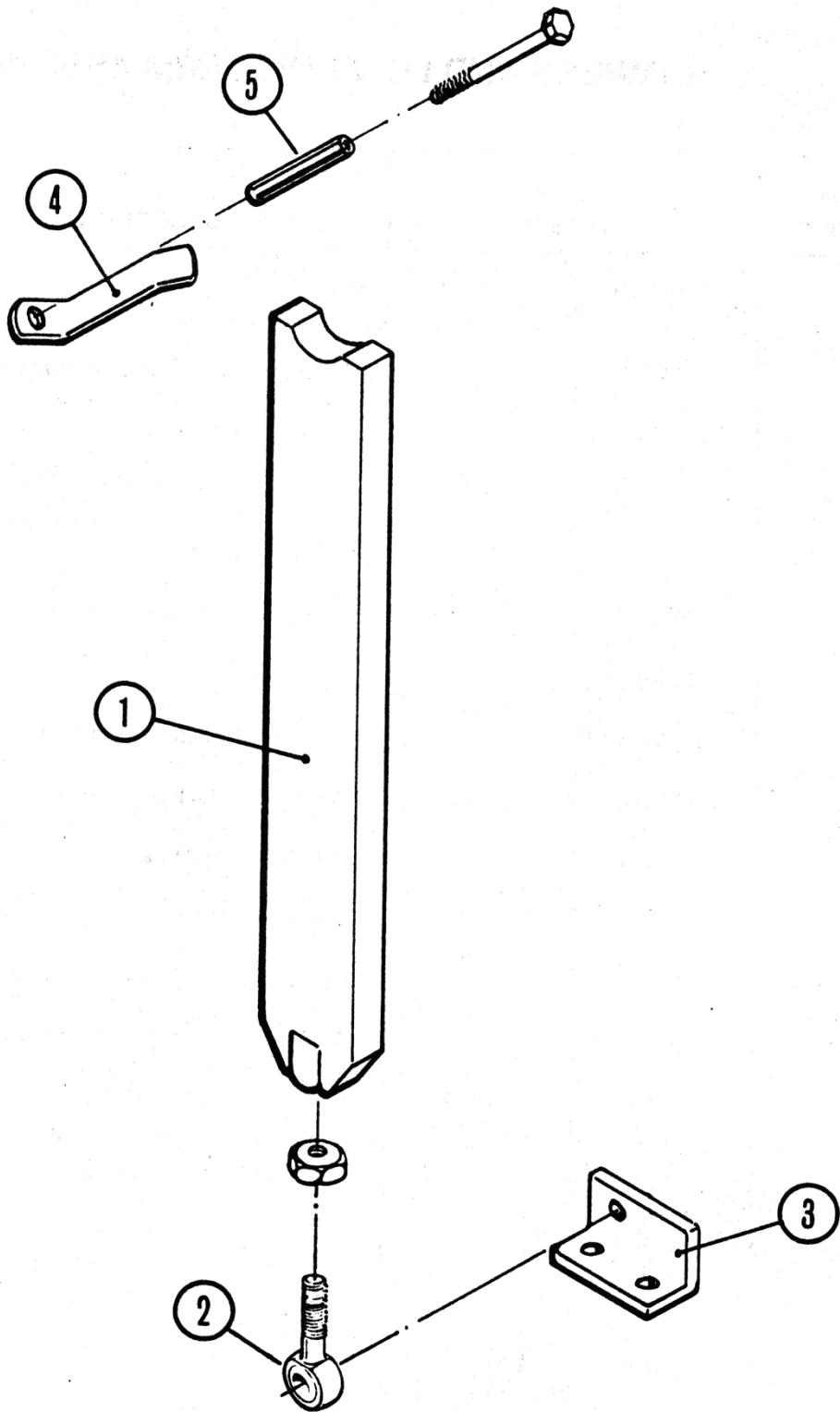
*When no number appears in this column, the parts number for the 78 Series is the same as that for the 88 Series.



BUMPERS AND LOW DUMP ARM ASSEMBLY

ITEM NUMBER	PART NUMBER		DESCRIPTION
	Series 88	Series 78*	
1	300294	300104	Assembly - Lift Arm (Low Dump)
2	301075		Mount - Dump Arm
3	301420		Spacer - Dump Arm Mount
4	400012		Fitting Grease 3/16
5	300068		Cylinder - Hydraulic (Low Dump)
6	400110		Pin - Clevis 7/8 x 2.00
7	301370		Cylinder - Clevis (Low Dump)
8	301416		Spacer - Lift Cyliner - Clevis
9	400107		Pin - Clevis 1.00 x 2.62
10	300028		Bar - Stop Hopper
11	300096		Assembly - Lift Bracket Hopper
12	302603		Spacer - Bumper (Low Dump Only)
13	301042 300747 301897 301899	301038 301031	Assembly - Bumper Front (High Dump) Assembly - Bumper Front (Low Dump) Assembly - Bumper Front (High Dump) ME Assembly - Bumper Front (Low Dump) ME
14	301662		Headlight Filler
15	301085		Spacer - Front Bumper
16	300338		Bumper - Rubber

*When no number appears in this column, the parts number for the 78 Series is the same as that for the 88 Series.



HIGH DUMP SAFETY ARM

ITEM NUMBER	PART NUMBER	DESCRIPTION
1	302042	Assembly Safety Arm Pntd
2	300457	Ball Joint - 5/8" - 18
3	302045	Bracket - HD Safety Arm Pntd
4	302076	Ret - HD Safety Arm Pntd
5	302077	Hose - HD Safety Arm Pntd

